

3M™ Water Filtration Products

3M™ ScaleGard™ Blend Series of High Capacity Hardness Reduction Cartridges

**Application: Coffee, espresso,
vending & steamers**

3M™ ScaleGard™ Blend Series of High Capacity Hardness Reduction Cartridges** delivers custom water quality that you control. Simply blend in the desired level of minerals on the 3M™ ScaleGard™ Blend System head for Recipe Quality Water™. Our high capacity cartridges reduce chlorine taste and odor¹ and hard scale¹ that can react with metal, plastic and rubber materials. This reaction may cause equipment damage.

** Not sold in United States

Product Benefits:

- Premium carbon block technology provides consistent Recipe Quality Water™ for coffee, espresso, vending, steamers and combination ovens
- High-capacity buffered ion exchange resin reduces calcium and magnesium ions that can cause hard scale build-up on equipment
- Sanitary Quick Change (SQC) encapsulated cartridge design allows for fast and easy cartridge change-outs



Product Specifications:

Model #	Hardness Capacity (@ 11 gpg hardness)	Flow Rate	Reduction Claims	Part #	3M ID
B1175-S	1,982 gals (7,503 lit)	1 gpm (3.8 lpm)	Hard Scale ¹ , and Chlorine Taste & Odor ¹	5630601	UU001527009
B1175H-S	2,774 gals (10,501 lit)			5630602	UU001518057

¹ Tested and verified by manufacturer's laboratory

² Capacity based on standard blend for coffee machines without steam operation

3M™ Water Filtration Products

3M™ ScaleGard™ Blend Series of High Capacity Hardness Reduction Cartridges

Specifications

- Cartridges are sanitary in design, requiring no contact with the filter media during the cartridge change out
- Cartridges contain WAC resin (Hydrogen form and non-Hydrogen form) and carbon block media wrap
- Cartridges do not require pre-activation
- Cartridges are o-ring seal type
- Operating pressure of 25-100 psi (172-690 kPa)
- Operating temperature of 40-100°F (4.4 – 37.8°C)

Important: Installation Tips

⚠ WARNING:

Read entire manual. Failure to follow all guides and rules could cause personal injury or property damage.

- Check with your local public works department for plumbing codes. You must follow their guidelines as you install the Water Filtration system.
- Your Water Filtration system will withstand up to 100 pounds per square inch (psi) water pressure. If your water supply pressure is higher than 80 psi, install a pressure reducing valve before installing the Water Filtration system.

To reduce the risk associated with the ingestion of contaminants:

- DO NOT use with water that is microbiologically unsafe or of unknown quality without adequate disinfection before or after the system.

NOTICE:

To reduce the risk associated with water leakage or flooding:

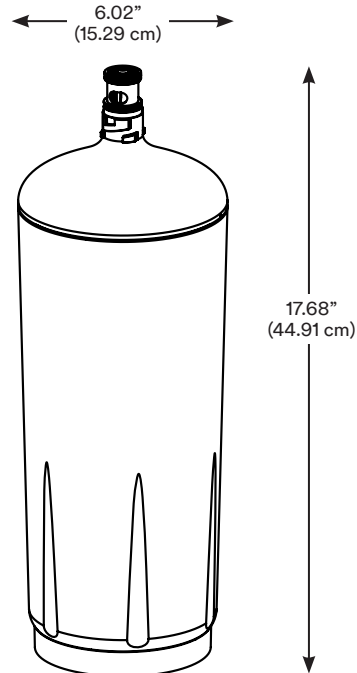
- Read and follow Use Instructions before installation and use of this system.
- Change the disposable filter cartridge at the recommended interval; the disposable filter cartridge MUST be replaced every 12 months or sooner.
- Failure to replace the disposable filter cartridge at recommended intervals may lead to reduced filter performance and failure of the filter, causing property damage from water leakage or flooding.

Spec # _____

Quantity _____

Model # _____

Part # _____



Model(s): B1175-S
B1175H-S

Limited Warranty

Warranty, Limited Remedy, and Disclaimer: Many factors beyond 3M's control and uniquely within user's knowledge and control can affect the use and performance of a 3M product in a particular application. User is solely responsible for evaluating the 3M product and determining whether it is fit for a particular purpose and suitable for user's method of application. Unless an additional warranty is specifically stated on the applicable 3M product packaging or product literature, 3M warrants that each 3M product meets the applicable 3M product specification at the time 3M ships the product. 3M MAKES NO OTHER WARRANTIES OR CONDITIONS, EXPRESS OR IMPLIED, INCLUDING, BUT NOT LIMITED TO, ANY IMPLIED WARRANTY OR CONDITION OF MERCHANTABILITY OR FITNESS FOR A PARTICULAR PURPOSE OR ANY IMPLIED WARRANTY OR CONDITION ARISING OUT OF A COURSE OF DEALING, CUSTOM OR USAGE OF TRADE. If the 3M product does not conform to this warranty, then the sole and exclusive remedy is, at 3M's option, replacement of the 3M product or refund of the purchase price.

Limitation of Liability: Except where prohibited by law, 3M will not be liable for any loss or damage arising from the 3M product, whether direct, indirect, special, incidental or consequential, regardless of the legal theory asserted, including warranty, contract, negligence or strict liability.



3M Purification Inc.
400 Research Parkway
Meriden, CT 06450 U.S.A.

Toll Free 1-866-990-9785
Worldwide 1-203-237-5541
Fax 1-203-238-8701
Web www.3Mpurification.com
www.3Mfoodservice.com

3M, Recipe Quality Water and ScaleGard are trademarks of 3M Company.
© 2016 3M Company. All rights reserved.
70020340512 REV 0916
Please recycle. Printed in U.S.A.